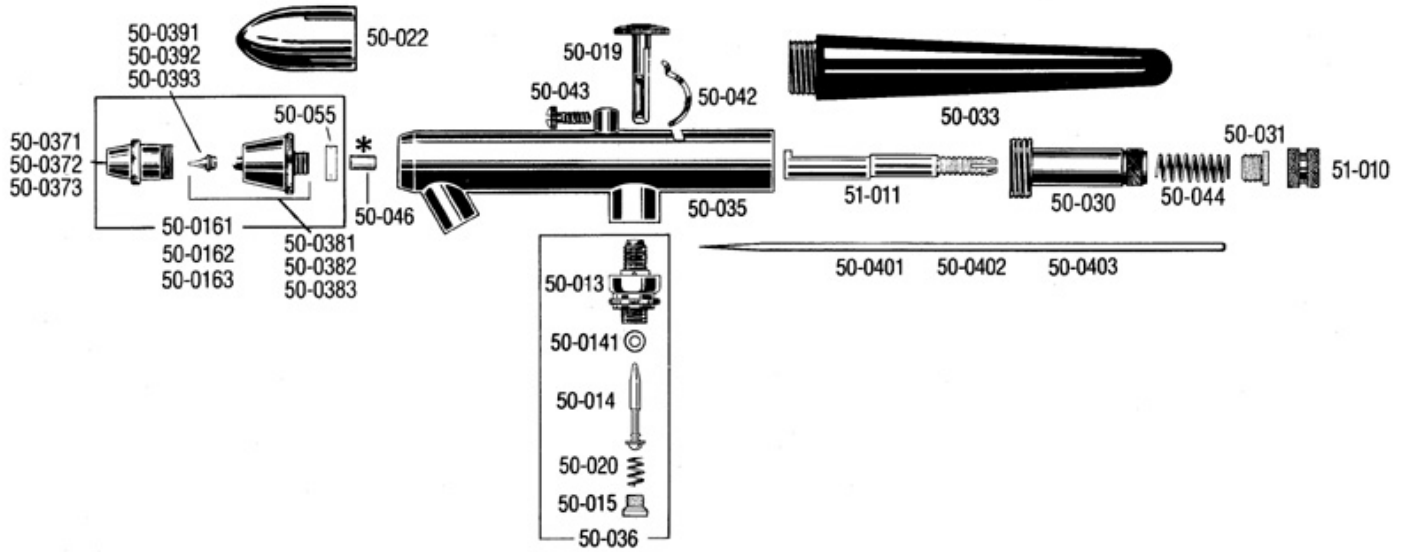


MODEL 150



| Best. Nr. / Order No. | Herst.-Nr. / Mfg. No. | Beschreibung | Description |
|-----------------------|-----------------------|---|---|
| BA-50-013 | 50-013 | Ventilgehäuse, Modell 100, 150, 155, 175, 200 & 360 | Valve Casing, Model 100, 150, 155, 175, 200 & 360 |
| BA-50-014 | 50-014 | Ventilstößel & O-Ring, Modell 100, 150, 155, 175, 200 & 360 | Plunger & O-Ring, Model 100, 150, 155, 175, 200 & 360 |
| BA-50-015 | 50-015 | Ventilschraube, Modell 100, 150, 155, 175, 200 & 360 | Valve Screw, Model 100, 150, 155, 175, 200 & 360 |
| BA-50-019 | 50-019 | Fingerhebel f. Modell 100, 150, 155, 200, 360 | Trigger f. Model 100, 150, 155, 200, 360 |
| BA-50-020 | 50-020 | Ventilfeder f. Modell 100, 150, 155, 175, 200 & 360 | Plunger Spring f. Model 100, 150, 155, 175, 200 & 360 |
| BA-50-022 | 50-022 | Schutzkappe f. Modell 100, 150, 200 | Protective Cap f. Model 100, 150, 200 |
| BA-50-033 | 50-033 | Nadelhülsenführung f. Modell 100, 150, 155, 200, 360 | Tube Shank f. Model 100, 150, 155, 200, 360 |
| BA-50-031 | 50-031 | Halteschraube f. Feder f. Modell 100, 150, 155, 200, 360 | Spring Screw f. Model 100, 150, 155, 200, 360 |
| BA-50-035 | 50-035 | Griffstück (Aluminium) Modell 100 or 150 | Handle (aluminum) Model 100 or 150 |
| BA-50-036 | 50-036 | Griffstück (Aluminium konisch) Modell 100 or 150 | Handle (aluminum tapered) Model 100 or 150 |
| BA-50-038 | 50-038 | Airbrushkörper Modell 150 | Shell-Model 150 w/ Needle Bearing |
| BA-50-042 | 50-042 | Ventil, komplett, Modell 100, 150, 155, 175, 200 & 360 | Complete Assembled Valve, Model 100, 150, 155, 175, 200 & 360 |
| BA-50-043 | 50-043 | Kopf f. Modell 100, 150, 200 | Head only f. Model 100, 150, 200 |
| BA-50-044 | 50-044 | Fingerhebel f. Modell 100, 150, 155, 360 | Back Lever f. Model 100, 150, 155, 360 |
| BA-50-046 | 50-046 | Einstellschraube | Adjusting Screw |
| BA-50-055 | 50-055 | Nadel-Rückholfeder f. Modell 100, 150, 155, 200, 360 | Needle Tube Spring f. Model 100, 150, 155, 200, 360 |
| BA-50-0141 | 50-0141 | PTFE Nadeldichtung (siehe Zeichnung) f. Modell 100, 150, 155, 200 | PTFE Needle Bearing (see Drawing/Note*) f. Model 100, 150, 155, 200 |
| BA-50-0161 | 50-0161 | PTFE Kopfichtung f. Modell 100, 150, 200 | PTFE Head Washer f. Model 100, 150, 200 |
| BA-50-0162 | 50-0162 | Ventil-O-Ring, Modell 100, 150, 155, 175, 200 & 360 | Valve O-Ring, Model 100, 150, 155, 175, 200 & 360 |
| BA-50-0163 | 50-0163 | Kopf, komplett, Fein f. Modell 100, 150, 200 | Head Assembly Complete, Fine f. Model 100, 150, 200 |
| BA-50-0162 | 50-0162 | Kopf, komplett, Medium f. Modell 100, 150, 200 | Head Assembly Complete, Medium f. Model 100, 150, 200 |
| BA-50-0163 | 50-0163 | Kopf, komplett, Gross f. Modell 100, 150, 200 | Head Assembly Complete, Heavy f. Model 100, 150, 200 |

| | | | |
|------------|---------|---|--|
| BA-50-0332 | 50-0332 | Griffstück, Counter Balance (Messing) f. Modell 100 & 150 | Handle, Counter Balance (Brass) f. Model 100 & 150 |
| BA-50-0371 | 50-0371 | Sprühkappe, Fein f. Modell 100, 150, 200 | Spray Regulator, Fine f. Model 100, 150, 200 (Crown from now on) |
| BA-50-0372 | 50-0372 | Sprühkappe, Medium f. Modell 100, 150, 200 | Spray Regulator, Medium f. Model 100, 150, 200 (Crown from now on) |
| BA-50-0373 | 50-0373 | Sprühkappe, Gross f. Modell 100, 150, 200 | Spray Regulator, Heavy f. Model 100, 150, 200 (Crown from now on) |
| BA-50-0381 | 50-0381 | Kopf mit Düse, Fein f. Modell 100, 150, 200 | Tip & Head, Fine f. Model 100, 150, 200 |
| BA-50-0382 | 50-0382 | Kopf mit Düse, Medium f. Modell 100, 150, 200 | Tip & Head, Medium f. Model 100, 150, 200 |
| BA-50-0383 | 50-0383 | Kopf mit Düse, Gross f. Modell 100, 150, 200 | Tip & Head, Heavy f. Model 100, 150, 200 |
| BA-50-0391 | 50-0391 | Düse, Fein f. Modell 100, 150, 200 | Tip, Fine f. Model 100, 150, 200 |
| BA-50-0392 | 50-0392 | Düse, Medium f. Modell 100, 150, 200 | Tip, Medium f. Model 100, 150, 200 |
| BA-50-0393 | 50-0393 | Düse, Gross f. Modell 100, 150, 200 | Tip, Heavy f. Model 100, 150, 200 |
| BA-50-0401 | 50-0401 | Nadel, Fein f. Modell 100 & 150 | Needle, Fine f. Model 100 & 150 |
| BA-50-0402 | 50-0402 | Nadel, Medium f. Modell 100 & 150 | Needle, Medium f. Model 100 & 150 |
| BA-50-0403 | 50-0403 | Nadel, Gross f. Modell 100 & 150 | Needle, Heavy f. Model 100 & 150 |
| BA-50-0482 | 50-0482 | 1/120ml Farbtopf | 1/4oz. Color Cup |
| BA-51-010 | 51-010 | Nadelfutter f. Modell 100, 150, 155, 360 | Needle Chuck f. Model 100, 150, 155, 360 |
| BA-51-011 | 51-011 | Nadelhülse f. Modell 100, 150, 200 | Needle Tube f. Model 100, 150, 200 |



I Love my AirbrushDealer

97424 Schweinfurt
Kettelerstr. 22a

Telefon: 09721 474 20 80
www.airbrush4you.de