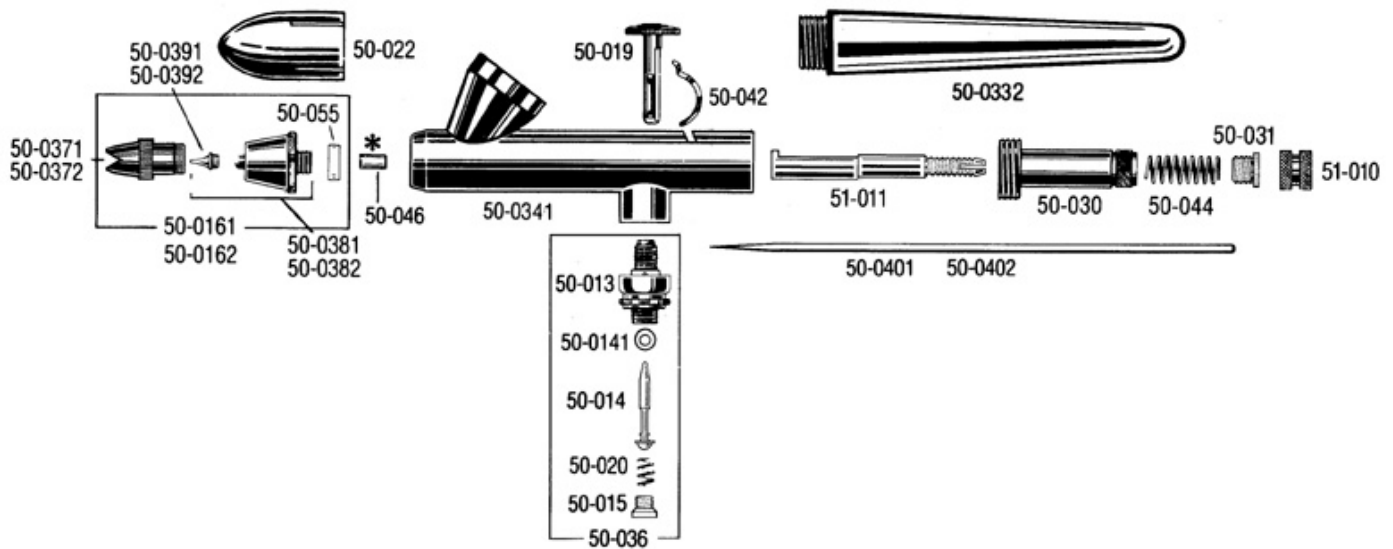


MODEL 100 G



Best. Nr. / Order No.	Herst.-Nr. / Mfg. No.	Beschreibung	Beschreibung
BA-50-013	50-013	Ventilgehäuse, Modell 100, 150, 155, 175, 200 & 360	Valve Casing, Model 100, 150, 155, 175, 200 & 360
BA-50-014	50-014	Ventilstößel & O-Ring, Modell 100, 150, 155, 175, 200 & 360	Plunger & O-Ring, Model 100, 150, 155, 175, 200 & 360
BA-50-015	50-015	Ventil-Schraube, Modell 100, 150, 155, 175, 200 & 360	Valve Screw, Model 100, 150, 155, 175, 200 & 360
BA-50-019	50-019	Fingerhebel f. Modell 100, 150, 155, 200, 360	Trigger f. Model 100, 150, 155, 200, 360
BA-50-020	50-020	Ventilfeder f. Modell 100, 150, 155, 175, 200 & 360	Plunger Spring f. Model 100, 150, 155, 175, 200 & 360
BA-50-022	50-022	Schutzkappe f. Modell 100, 150, 200	Protective Cap f. Model 100, 150, 200
BA-50-026	50-026	Barb Schlauch-Anschluss 100GB	Barb Hose Fitting 100GB
BA-50-030	50-030	Nadelhülsenführung f. Modell 100, 150, 155, 200, 360	Tube Shank f. Model 100, 150, 155, 200, 360
BA-50-031	50-031	Halteschraube f. Feder f. Modell 100, 150, 155, 200, 360	Spring Screw f. Model 100, 150, 155, 200, 360
BA-50-036	50-036	Ventil, komplett, Modell 100, 150, 155, 175, 200 & 360	Complete Assembled Valve, Model 100, 150, 155, 175, 200 & 360
BA-50-038	50-038	Kopf f. Modell 100, 150, 200	Head only f. Model 100, 150, 200
BA-50-042	50-042	Fingerhebelplättchen f. Modell 100, 150, 155, 360	Back Lever f. Model 100, 150, 155, 360
BA-50-044	50-044	Nadel-Rückholfeder f. Modell 100, 150, 155, 200, 360	Needle Tube Spring f. Model 100, 150, 155, 200, 360
BA-50-046	50-046	PTFE Nadeldichtung (siehe Zeichnung*) f. Modell 100, 150, 155, 200	PTFE Needle Bearing (see Drawing/Note*) f. Model 100, 150, 155, 200
BA-50-055	50-055	PTFE Kopfdichtung f. Modell 100, 150, 200	PTFE Head Washer f. Model 100, 150, 200
BA-50-0141	50-0141	Ventil-O-Ring, Modell 100, 150, 155, 175, 200 & 360	Valve O-Ring, Model 100, 150, 155, 175, 200 & 360
BA-50-0161	50-0161	Kopf, komplett, Fein f. Modell 100, 150, 200	Head Assembly Complete, Fine f. Model 100, 150, 200
BA-50-0162	50-0162	Kopf, komplett, Medium f. Modell 100, 150, 200	Head Assembly Complete, Medium f. Model 100, 150, 200
BA-50-0332	50-0332	Griffstück, Messing f. Modell 100 & 150	Handle, Counter Balance (Brass) f. Model 100 & 150
BA-50-0341	50-0341	Airbrush-Körper - Modell 100G mit Nadeldichtung	Shell--Model 100G w/needle bearing
BA-50-0343	50-0343	Airbrush-Körper - Modell 100SG mit Nadeldichtung	Shell--Model 100SG w/needle bearing

BA-50-0361	50-0361	Ventil f. Bäckerei-Airbrush	Continuous flow Valve for Bakery Gun
BA-50-0371	50-0371	Sprühkappe, Fein f. Modell 100, 150, 200	Spray Regulator, Fine f. Model 100, 150, 200 (Crown from now on)
BA-50-0372	50-0372	Sprühkappe, Medium f. Modell 100, 150, 200	Spray Regulator, Medium f. Model 100, 150, 200 (Crown from now on)
BA-50-0381	50-0381	Kopf mit Düse, Fein f. Modell 100, 150, 200	Tip & Head, Fine f. Model 100, 150, 200
BA-50-0382	50-0382	Kopf mit Düse, Medium f. Modell 100, 150, 200	Tip & Head, Medium f. Model 100, 150, 200
BA-50-0391	50-0391	Düse, Fein f. Modell 100, 150, 200	Tip, Fine f. Model 100, 150, 200
BA-50-0392	50-0392	Düse, Medium f. Modell 100, 150, 200	Tip, Medium f. Model 100, 150, 200
BA-50-0401	50-0401	Nadel, Fein f. Modell 100 & 150	Needle, Fine f. Model 100 & 150
BA-50-0402	50-0402	Nadel, Medium f. Modell 100 & 150	Needle, Medium f. Model 100 & 150
BA-50-206	50-206	Deckel für 100G Farbnapf	Cap For 100G Cup
BA-51-010	51-010	Nadelfutter f. Modell 100, 150, 155, 360	Needle Chuck f. Model 100, 150, 155, 360
BA-51-011	51-011	Nadelhülse f. Modell 100, 150, 200	Needle Tube f. Model 100, 150, 200
BA-51-031	51-031	Kopf mit Düse f. Bäckerei-Airbrush (nur fuer 80-3 Kompressor)	Bakery Head & Tip (For use w/ 80-3 Compressor Only)
BA-51-032	51-032	Kopf, komplett f. Bäckerei-Airbrush (nur fuer 80-3 Kompressor)	Bakery Head Assembly Complete (For use w/ 80-3 Compressor Only)
BA-51-036	51-036	Sprühkappe f. Bäckerei-Airbrush (nur fuer 80-3 Kompressor)	Bakery Regulator (For use w/ 80-3 Compressor Only)
BA-51-099	51-099	Kopfdichtung f. Bäckerei-Airbrush	Bakery Head Seal



I Love my AirbrushDealer

97424 Schweinfurt
Kettelerstr. 22a

Telefon: 09721 474 20 80
www.airbrush4you.de